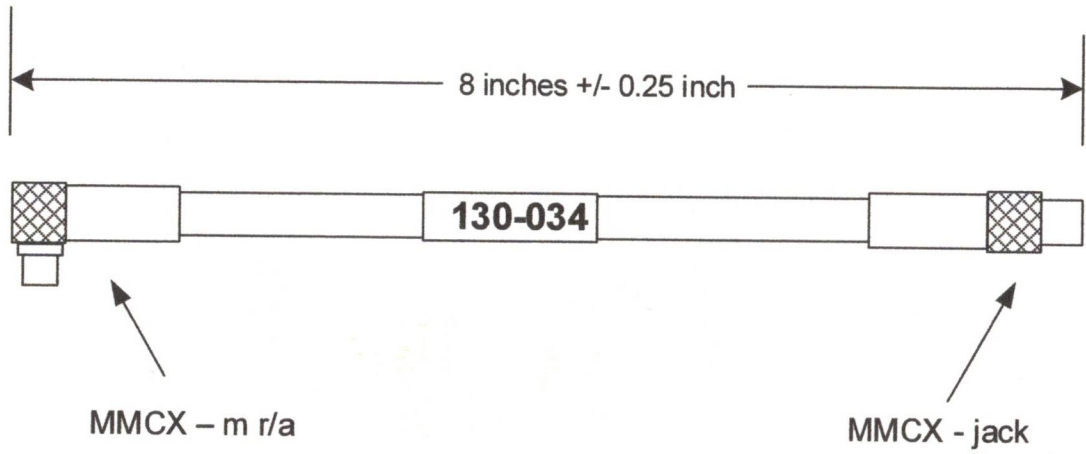


REVISION HISTORY				
REV	ECO #	DESCRIPTION	DATE	DRAWN BY



CONFIDENTIAL AND PROPRIETARY INFORMATION:
 The recipient of this information hereby acknowledges and agrees that the information contained herein is proprietary to WS Technologies Inc. and shall not be used, disclosed or duplicated in whole or in part except in accordance with the express written authorization from WS Technologies Inc.



WS Technologies Inc.

DESIGNED	BY	DATE	TITLE	
	WS	Dec 13, 2019	Cable Assembly - SIGNAL	
DRAWN	JS	FEB 2, 2021	DWG NO.	REV 1.00
			DWG-130-034-C	
CHECKED		Feb 5/21	DWG TYPE	SIZE A SCALE NTS
			FILE	/DWG-130-034-0100-C
APPROV'D		23-19	NEXT ASSY	SHEET 1 OF 1